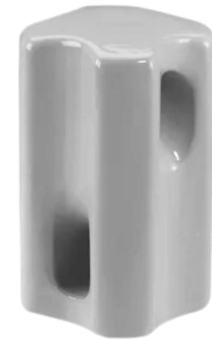
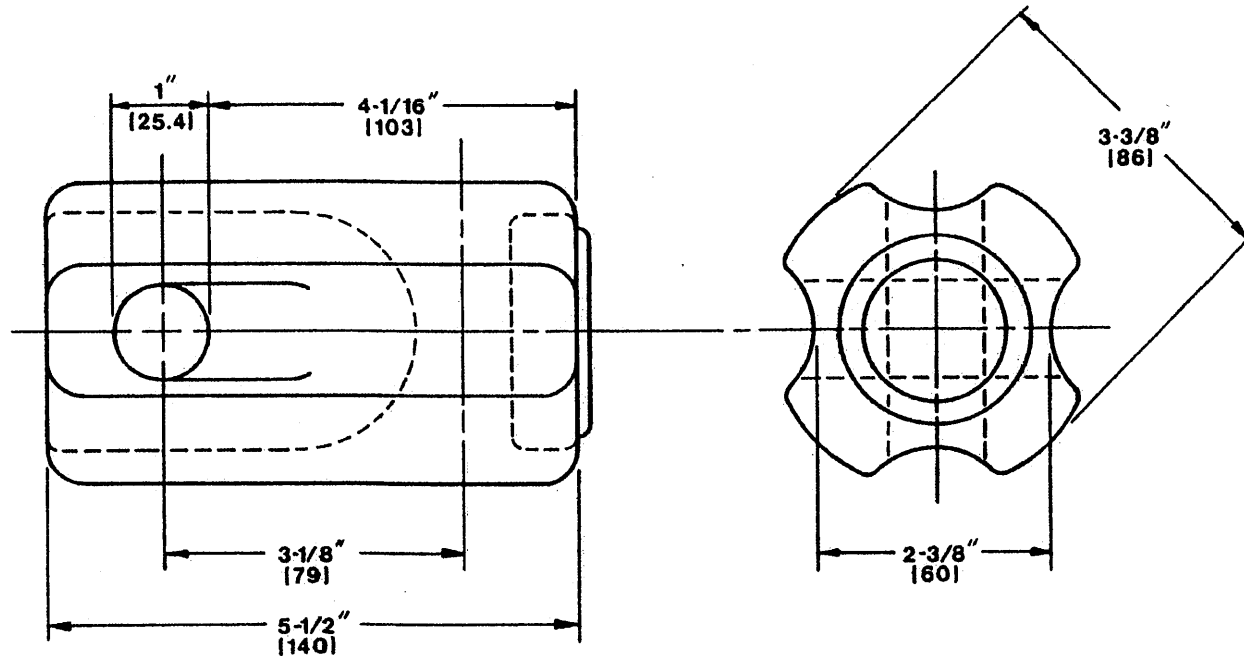


151 Industrial Park Rd
Colborne, ON K0K 1S0
905-355-3281



NOTES:

1. TENSILE STRENGTH: 20,000LBS ULTIMATE
2. MATERIAL: PORCELAIN
3. LEAKAGE DISTANCE: 2.62" (66.5MM)
4. 60HZ FLASHOVER VOLTAGE, DRY: 35KV
5. 60HZ FLASHOVER VOLTAGE, WET: 18KV
6. ANSI CLASS: 54-3
7. COLOUR: SKY GRAY

Guy Strain Insulator, 5-1/2"H, Porcelain, ANSI#54-3	
Frontier Part Number:	90854-3