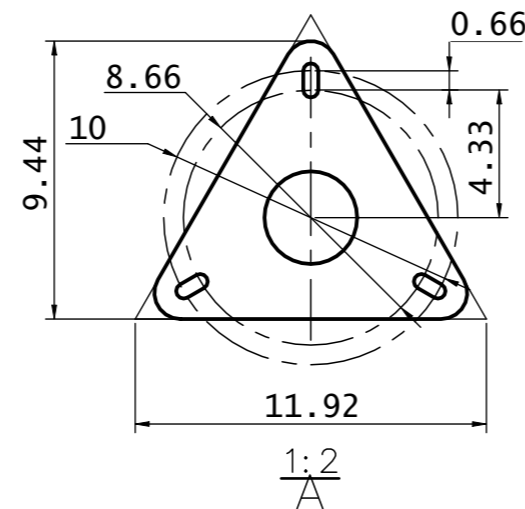
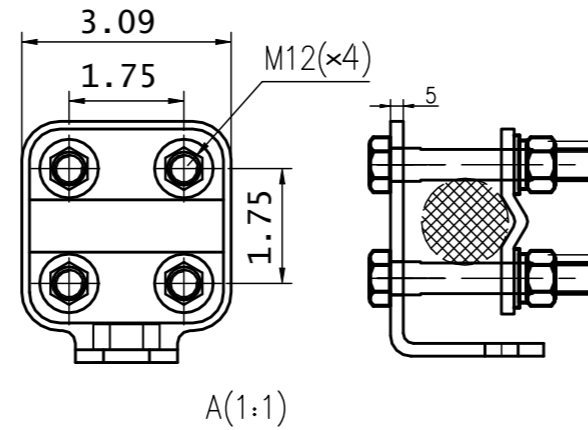
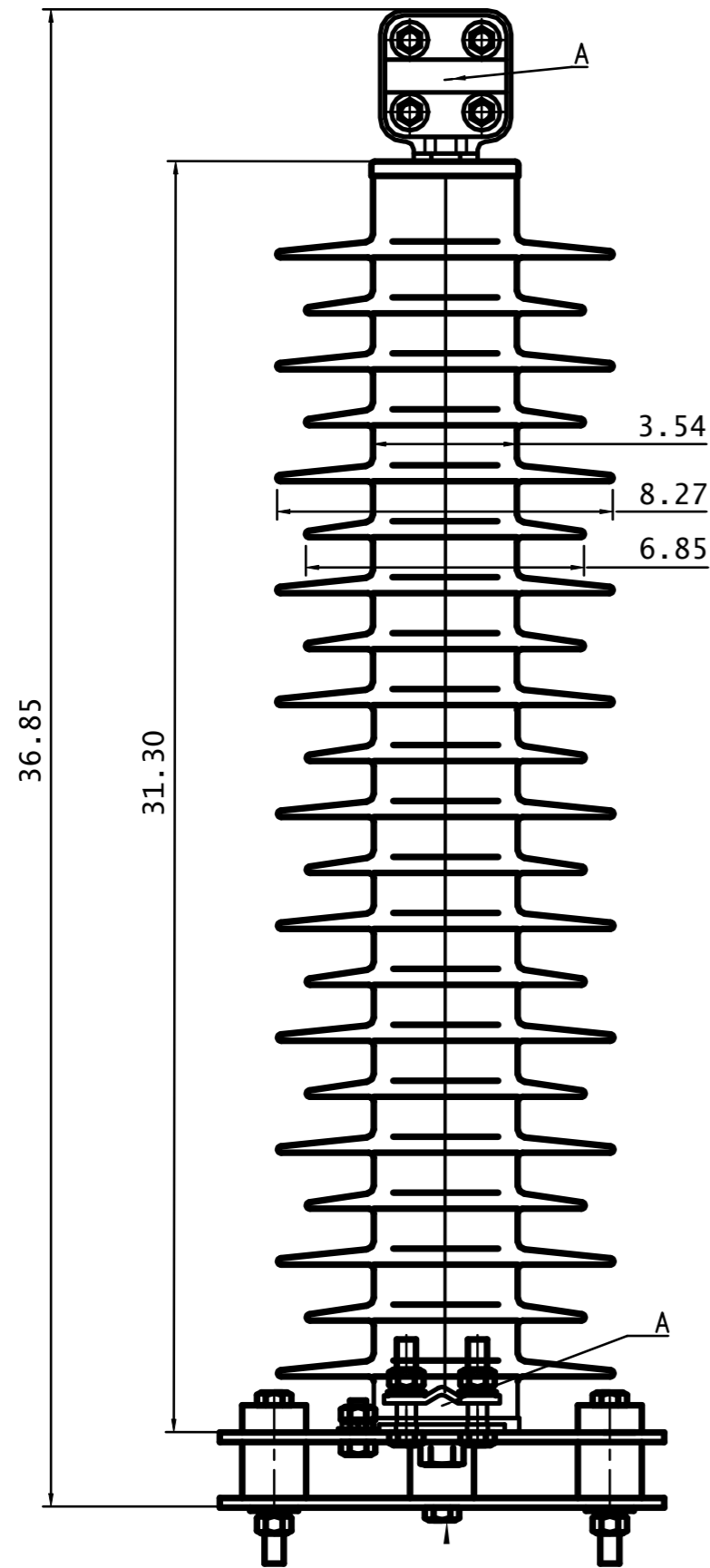




151 Industrial Park Rd
Colborne, ON K0K 1S0
905-355-3281

**Station Class Surge Arrester
48kV Nom. 39kV MCOV Silicone**



SURGE ARRESTER STRUCTURE DATA			
NO.	ITEM	DATA	UNIT
1	STRUCTURE HEIGHT	31.30	In.
2	SMALL SHED DIAMETER	6.85	In.
3	BIG SHED DIAMETER	8.27	In.
4	HOUSING INNER DIAMETER	3.15	In.
5	HOUSING EXTERNAL DIAMETER	3.54	In.

SURGE ARRESTER PERFORMANCE DATA			
NO.	ITEM	DATA	UNIT
6	ARRESTER CLASS	STATION	
7	RATED VOLTAGE	48	kV
8	CONTINUOUS OPERATING VOLTAGE (MCOV)	39	kV
9	NOMINAL DISCHARGE CURRENT	10	kA
10	PARTIAL DISCHARGE	≤10	pC
11	CREEPAGE DISTANCE	101.57	In.
12	DRY ARCHING DISTANCE	32.28	In.

PRODUCT	48KV SILICONE SURGE ARRESTER
PART NUMBER	502LAS48 (YH10WZ-48)

Manufacturing Standard: IEEE C62.11