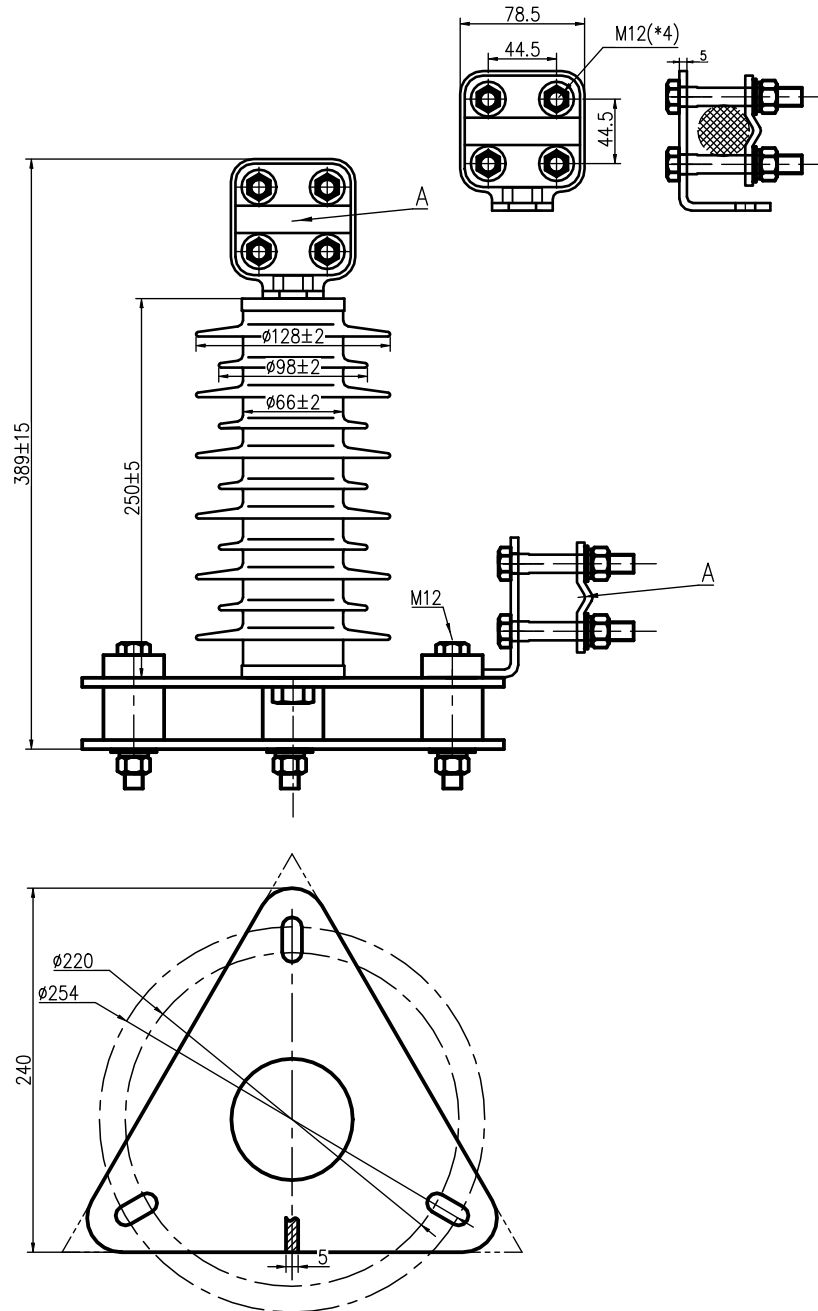




151 Industrial Park Rd
Colborne, ON K0K 1S0
905-355-3281



1:1

Station Class Surge Arrester
21kV Nom. 17kV MCOV
Silicone

SURGE ARRESTER PERFORMANCE DATA			
NO.	ITEM	DATA	UNIT
6	ARRESTER CLASS	STATION	
7	RATED VOLTAGE	21	kV
8	CONTINUOUS OPERATING VOLTAGE (MCOV)	17	kV
9	NOMINAL DISCHARGE CURRENT	10	kA
10	CREPAGE DISTANCE	27.56	In.

PRODUCT	21KV SILICONE STATION CLASS SURGE ARRESTER
PART NUMBER	502LAS21 (YH10WZ-21)

Manufacturing standard: IEEE C62.11