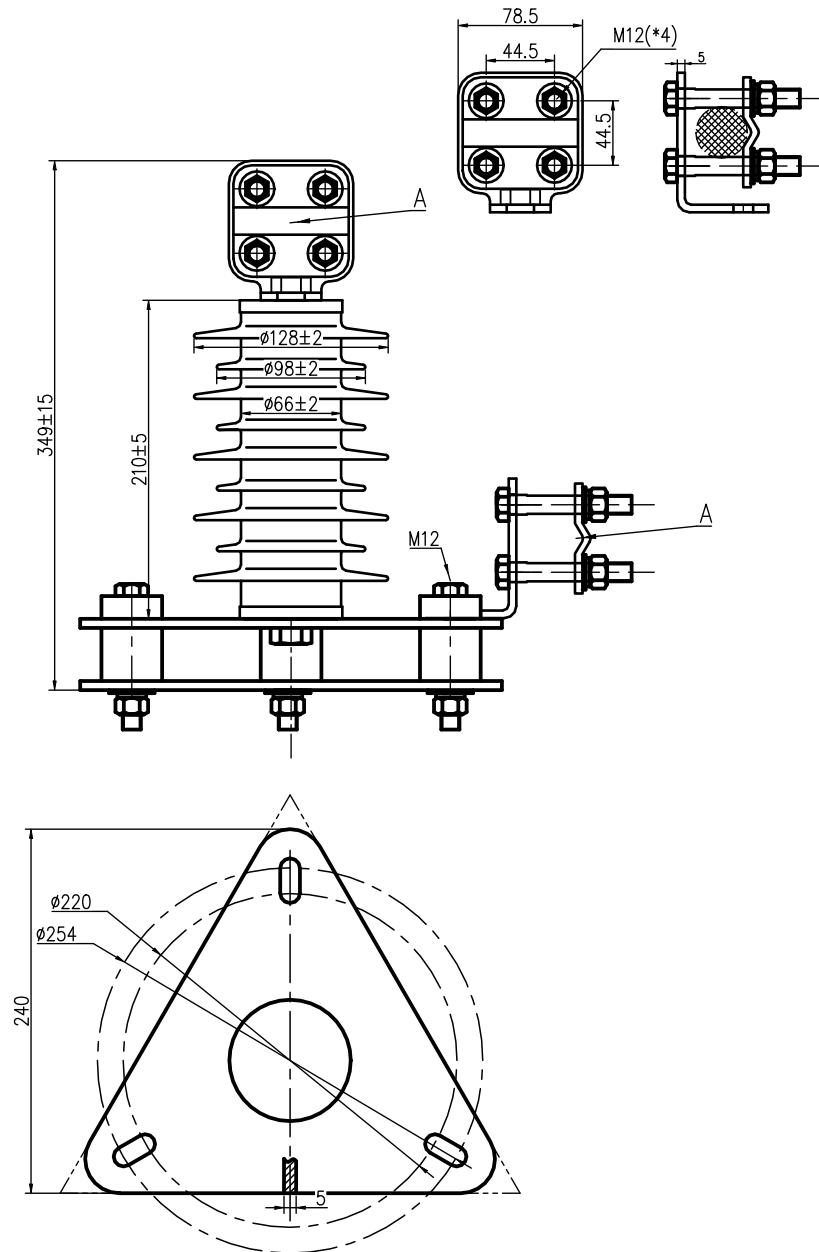




151 Industrial Park Rd  
Colborne, ON K0K 1S0  
905-355-3281



1:1

**Station Class Surge Arrester**  
**18kV Nom. 15.3kV MCOV**  
**Silicone**

SURGE ARRESTER PERFORMANCE DATA			
NO.	ITEM	DATA	UNIT
6	ARRESTER CLASS	STATION	
7	RATED VOLTAGE	18	kV
8	CONTINUOUS OPERATING VOLTAGE (MCOV)	15.3	kV
9	NOMINAL DISCHARGE CURRENT	10	kA
10	CREEPAGE DISTANCE	22.83	In.

PRODUCT	18KV SILICONE STATION CLASS SURGE ARRESTER
PART NUMBER	502LAS18 (YH10WZ-18)

Manufacturing standard: IEEE C62.11