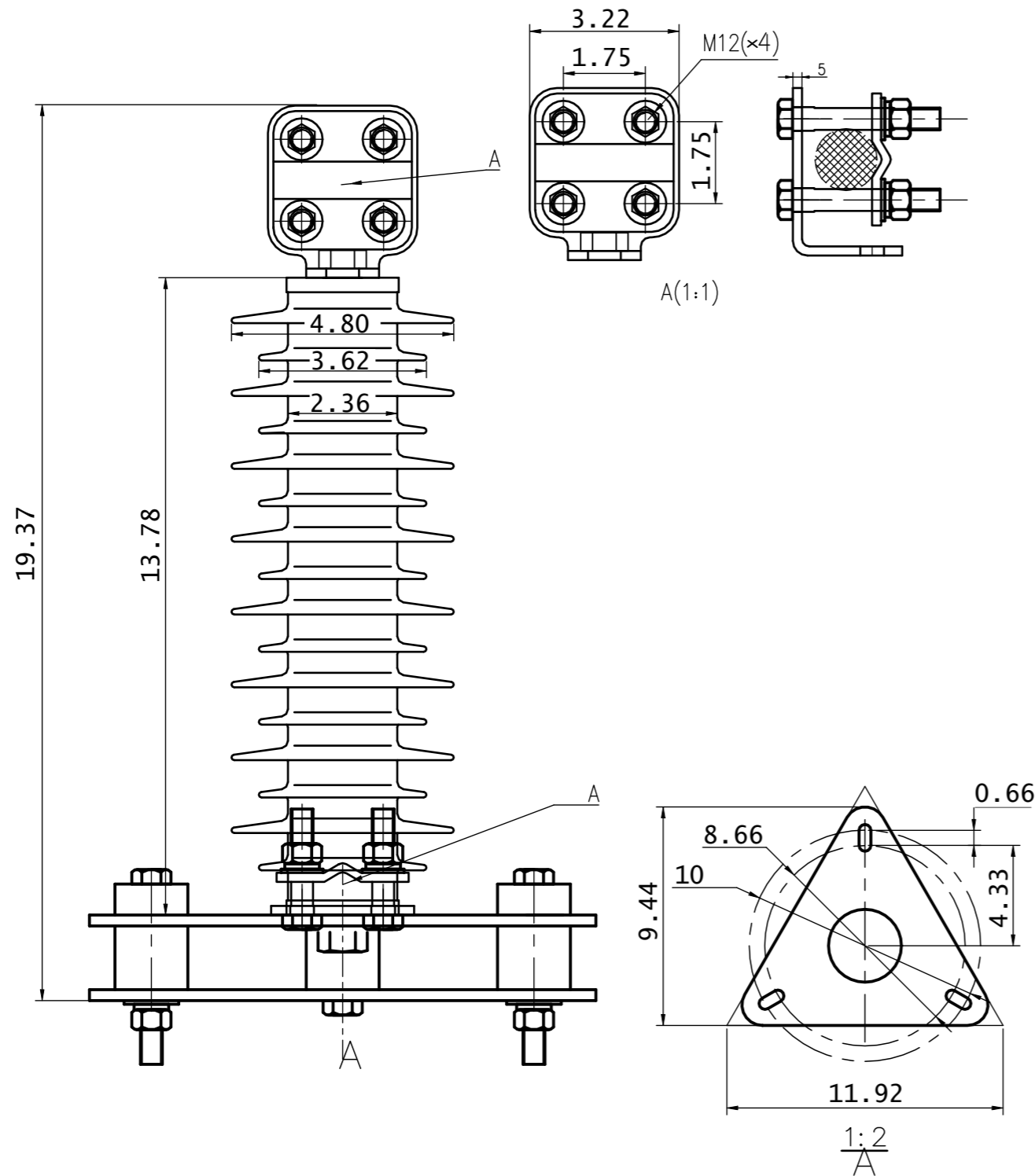




151 Industrial Park Rd
Colborne, ON K0K 1S0
905-355-3281

**Intermediate Class Surge Arrester
21kV Nom. 17kV MCOV
Silicone**



SURGE ARRESTER STRUCTURE DATA			
NO.	ITEM	DATA	UNIT
1	STRUCTURE HEIGHT	13.78	In.
2	SMALL SHED DIAMETER	3.62	In.
3	BIG SHED DIAMETER	4.80	In.
4	HOUSING INNER DIAMETER	2.13	In.
5	HOUSING EXTERNAL DIAMETER	2.36	In.

SURGE ARRESTER PERFORMANCE DATA			
NO.	ITEM	DATA	UNIT
6	ARRESTER CLASS	INTERMEDIATE	
7	RATED VOLTAGE	21	kV
8	CONTINUOUS OPERATING VOLTAGE (MCOV)	17	kV
9	NOMINAL DISCHARGE CURRENT	10	kA
10	PARTIAL DISCHARGE	≤10	pC
11	CREEPAGE DISTANCE	39.37	In.
12	DRY ARCHING DISTANCE	14.57	In.

PRODUCT	21KV SILICONE SURGE ARRESTER
PART NUMBER	502LAI21 (YH10WI-21)

Manufacturing Standard: IEEE C62.11