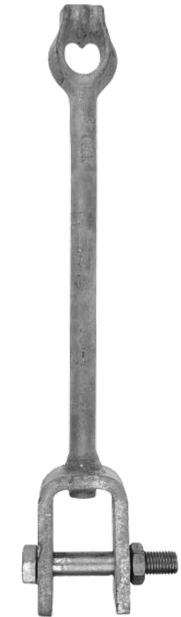
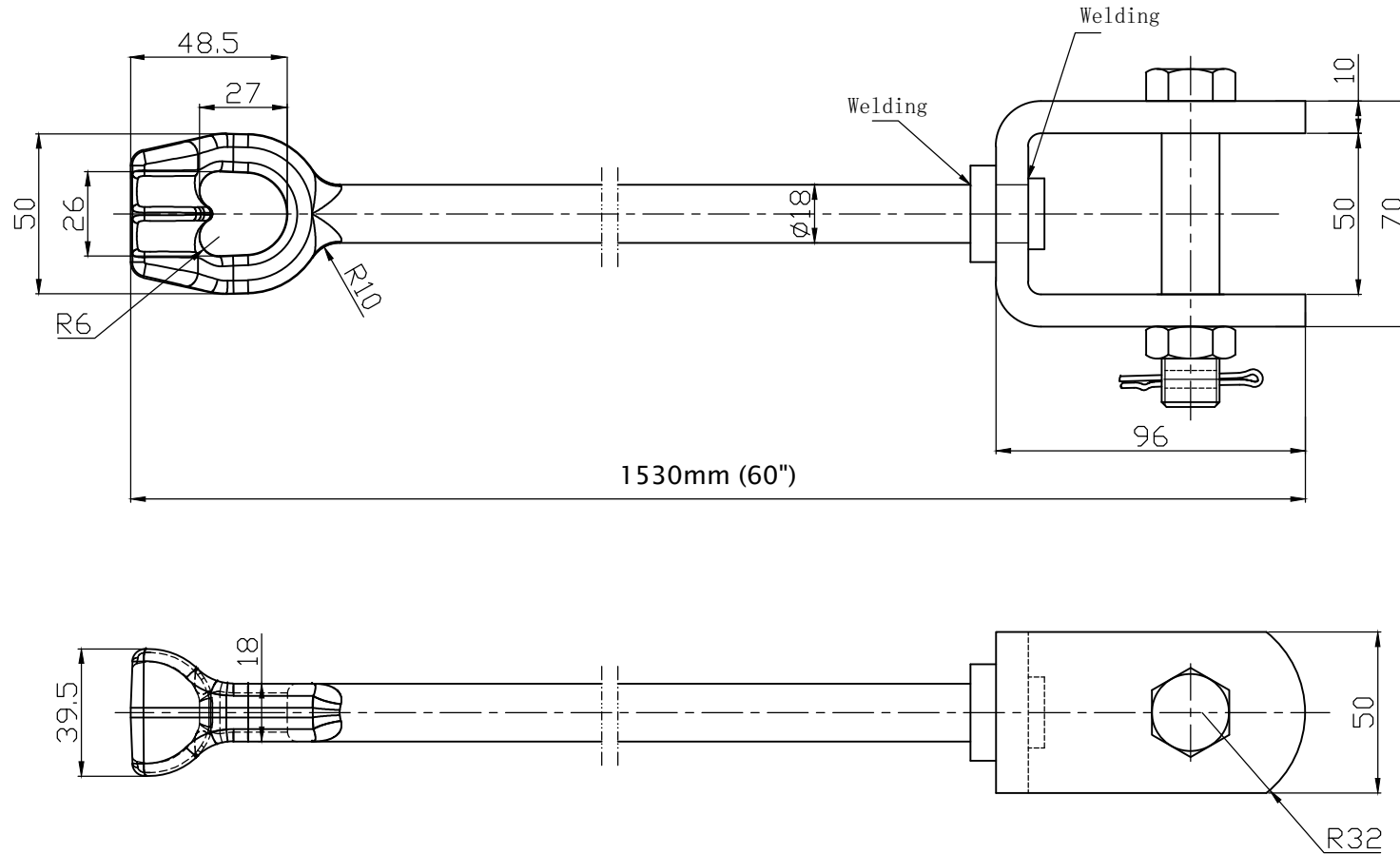


151 Industrial Park Rd
Colborne, ON K0K 1S0
905-355-3281



NOTES:

1. MATERIAL: HOT DIPPED GALVANIZED STEEL
2. HOT DIP GALVANIZED PER CSA SPEC G164

Anchor Rod Extension, 3/4" x 60", Double Thimble Eye to Clevis	
Frontier Part Number:	425RAX345