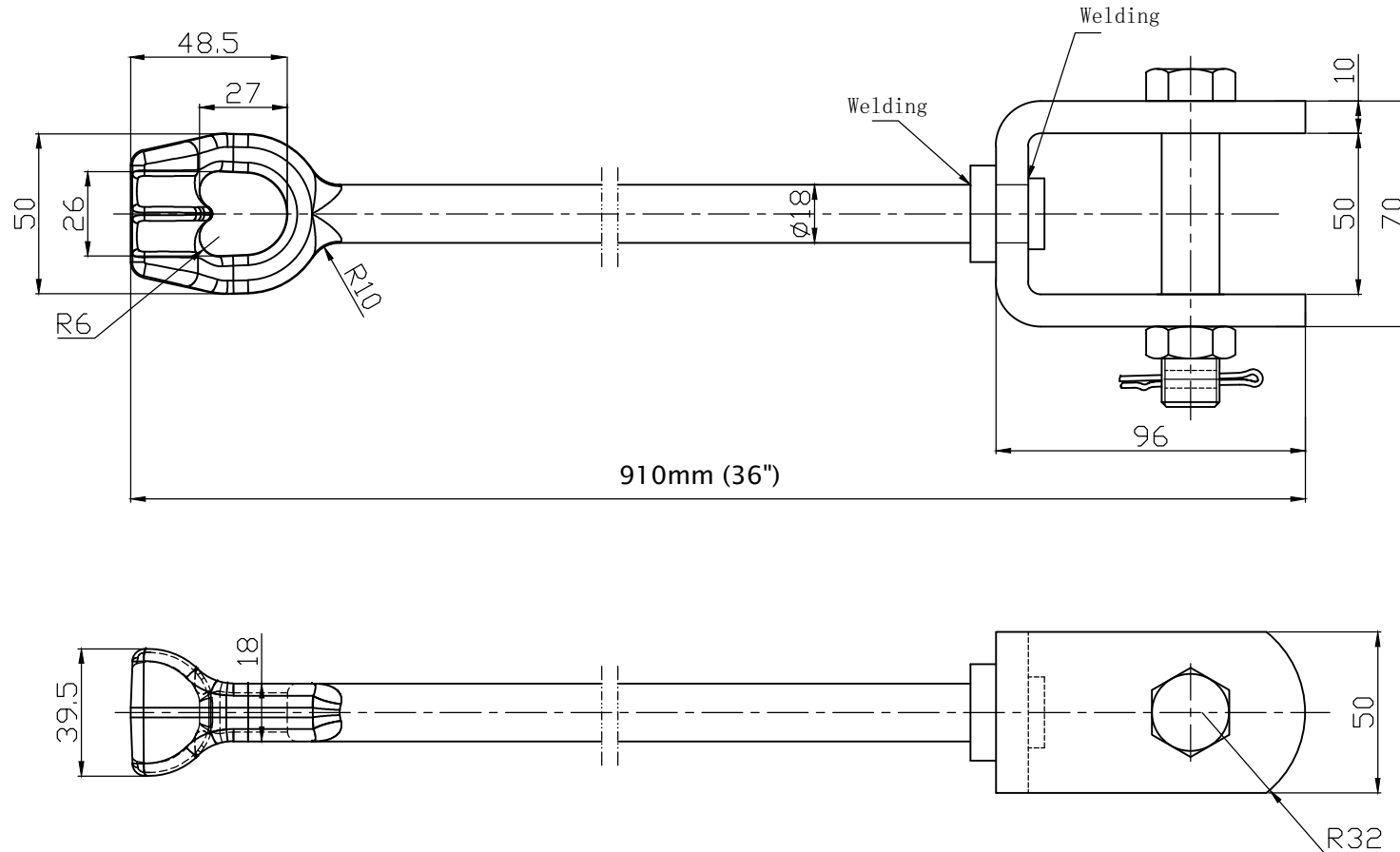


151 Industrial Park Rd
Colborne, ON K0K 1S0
905-355-3281



NOTES:

1. MATERIAL: HOT DIPPED GALVANIZED STEEL
2. HOT DIP GALVANIZED PER CSA SPEC G164

**Anchor Rod Extension, 3/4" x 36",
Double Thimble Eye to Clevis**

**Frontier Part
Number:**

425RAX343