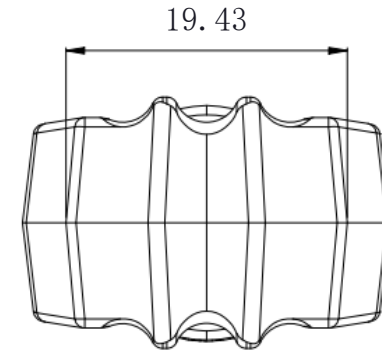
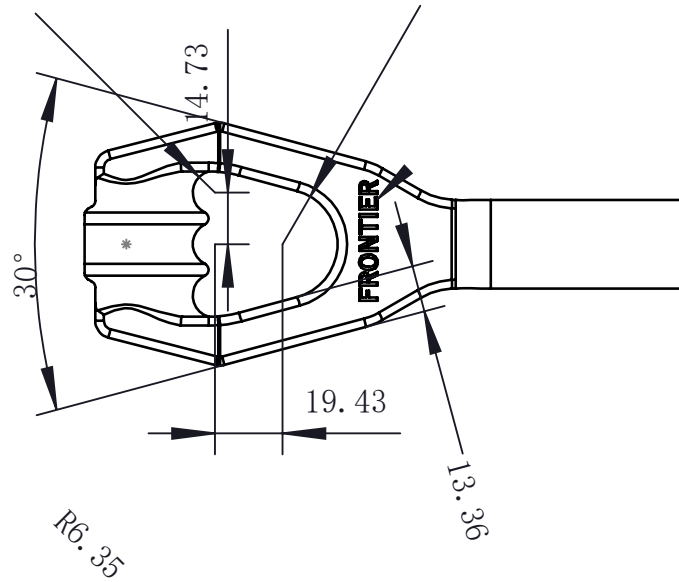
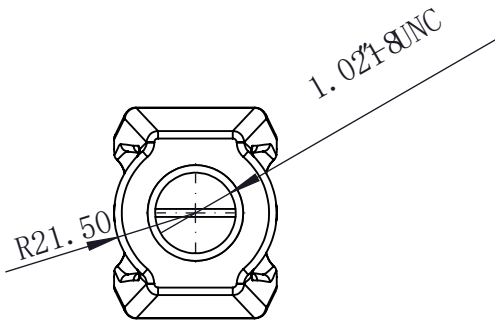


151 Industrial Park Road
Colborne, ON, K0K 1S0
905-355-3281



All measurements are in millimeters

NOTES:

1. HOT-DIP GALVANIZED, HOT ROLLED STEEL, IN ACCORDANCE WITH ASTM A153

**Triple Eye Nut, 1" Thread,
for PISA Anchor Rod**

FRONTIER PART NUMBER: 425PTREN