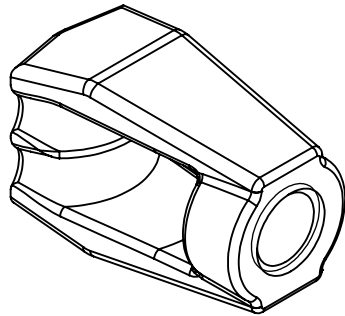
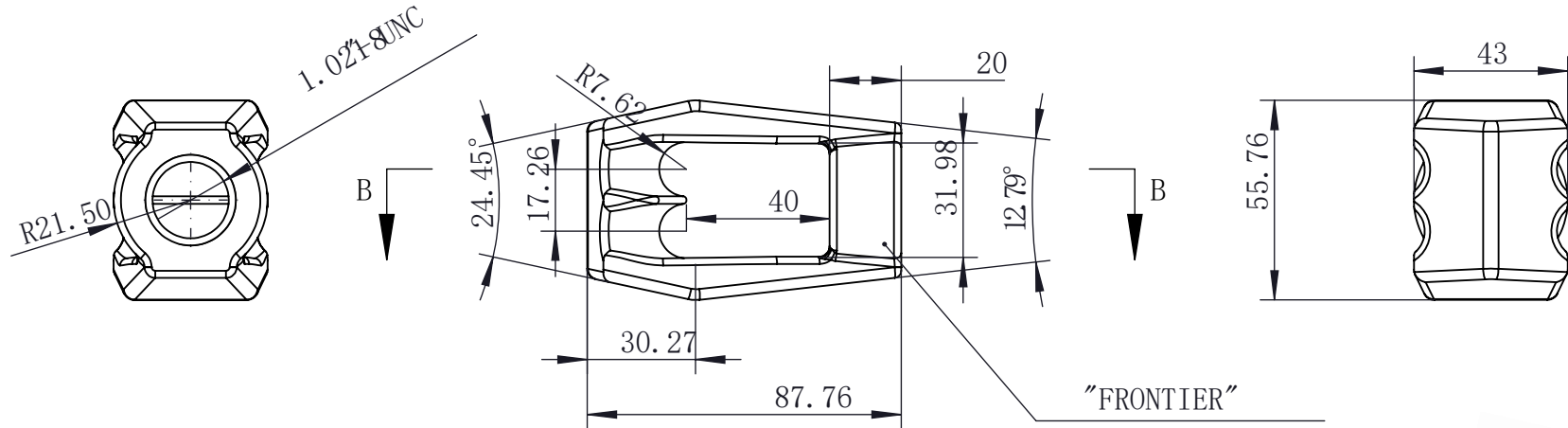
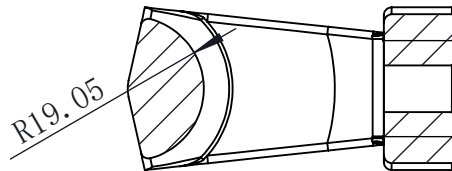


151 Industrial Park Road  
Colborne, ON, K0K 1S0  
905-355-3281



$\frac{B - B}{1 : 2}$



All measurements are in millimeters

**NOTES:**

1. HOT-DIP GALVANIZED, HOT ROLLED STEEL, IN ACCORDANCE WITH ASTM A153

**Twin Eye Nut, 1" Thread,  
for PISA Anchor**

**FRONTIER PART NUMBER: 425PAR347**