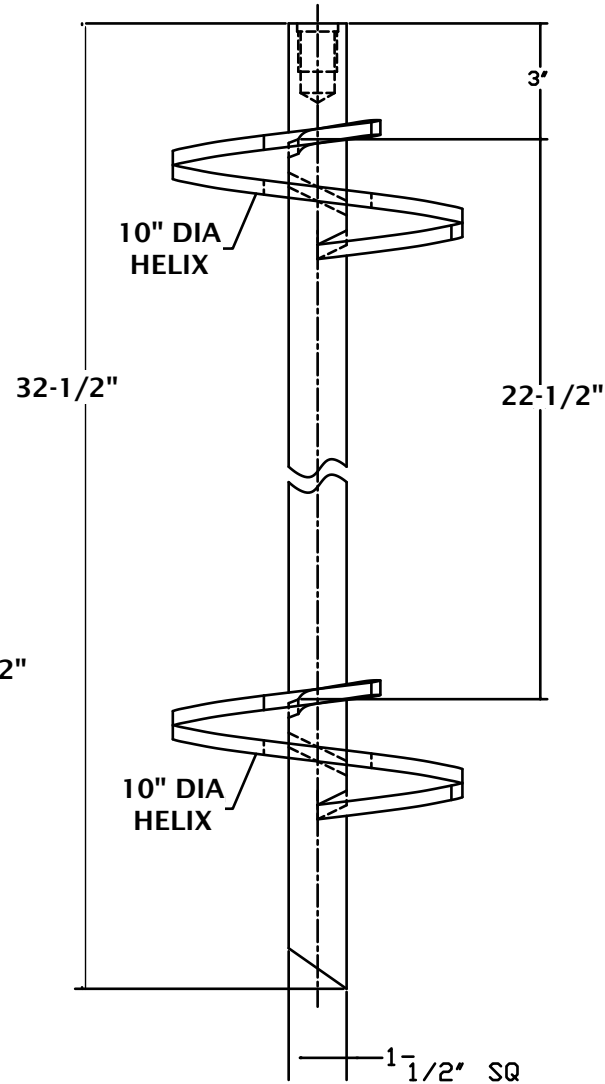
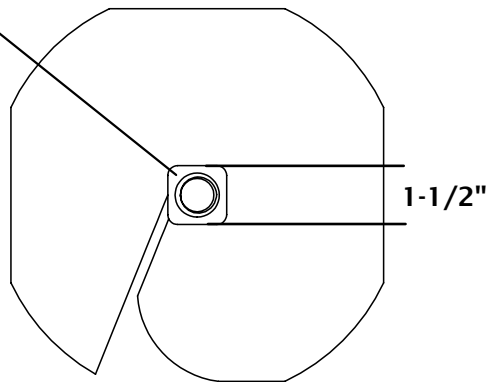


151 Industrial Park Rd
Colborne, ON K0K 1S0
905-355-3281

DRILLED & TAPPED
FOR 3/4" OR 1" POWER
HUB ANCHOR ROD



NOTES:

1. PAINTED LIGHT GREEN AFTER FABRICATION
2. ANCHOR IS RATED AT 7,000 FT-LBS INSTALLATION TORQUE.

**Twin Helix Anchor, PISA 10" Dia.,
1-1/2" sq. Hub for 3/4" or 1" Rod**

**Frontier Part
Number:**

425PAHD0710