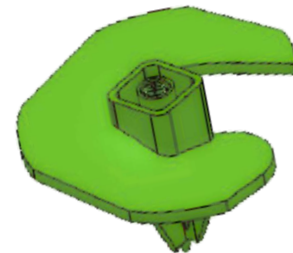
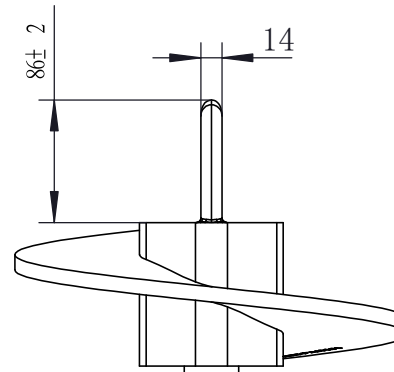
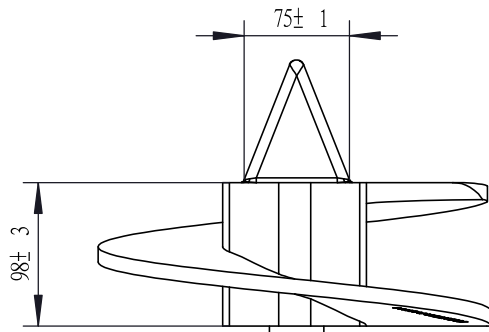
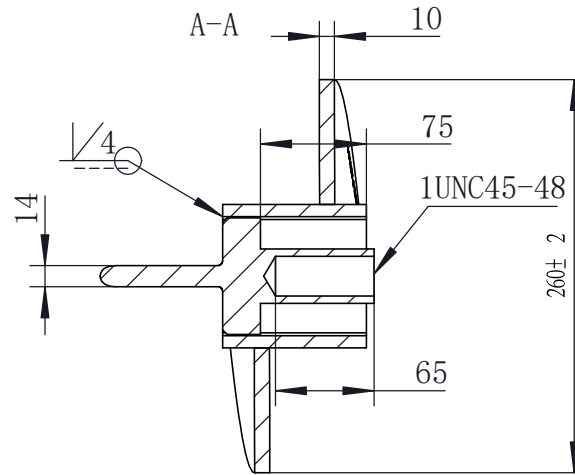
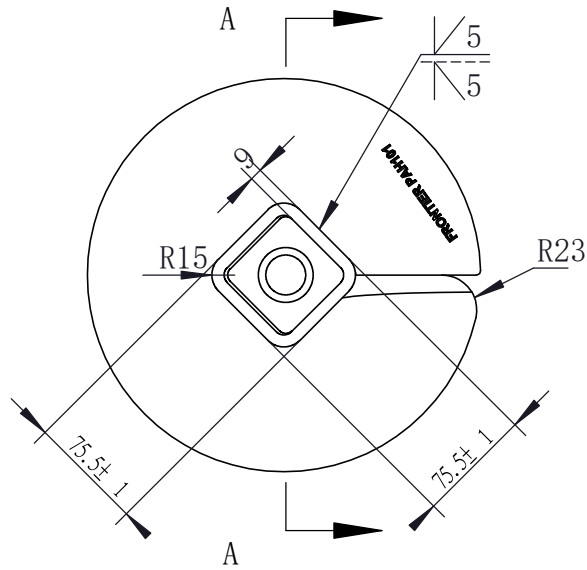


151 Industrial Park Rd  
Colborne, ON K0K 1S0  
905-355-3281



**NOTES:**

1. TORQUE RATING 10,000 FT-LBS
2. PAINTED LIGHT GREEN AFTER FABRICATION
3. HELIX PITCH: 3.36"

**PISA Anchor Helix, 10" Dia., 2-1/4"  
Socket Driven for 3/4" or 1" Rod**

**Frontier Part  
Number:**

**425PAH1010**