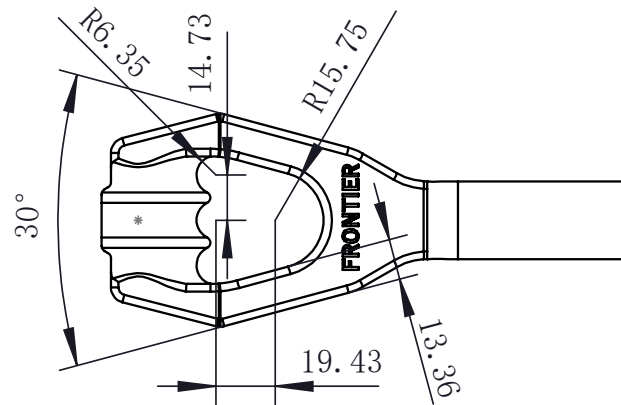
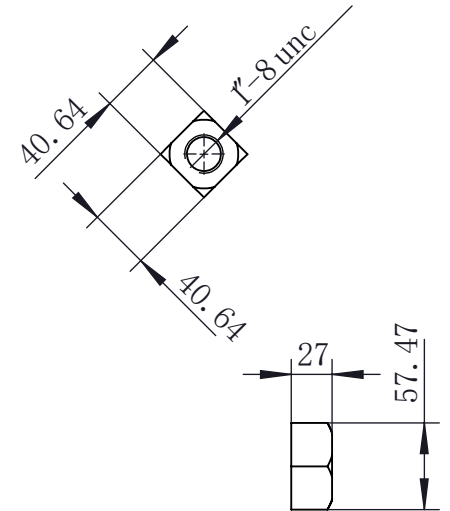
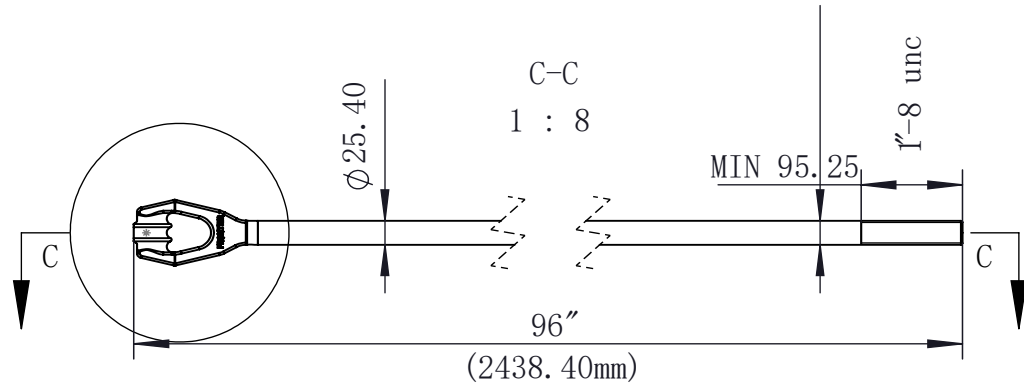
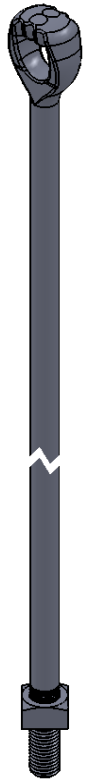


151 Industrial Park Rd  
Colborne, ON K0K 1S0  
905-355-3281



**NOTES:**

1. MATERIAL: HOT DIPPED GALVANIZED STEEL
2. HOT DIP GALVANIZED PER CSA SPEC G164
3. ROD RATED AT 36,000LBS ULTIMATE

<b>Anchor Rod, 1" x 8', Forged Triple Thimble Eye</b>	
<b>Frontier Part Number:</b>	<b>425AR108T</b>