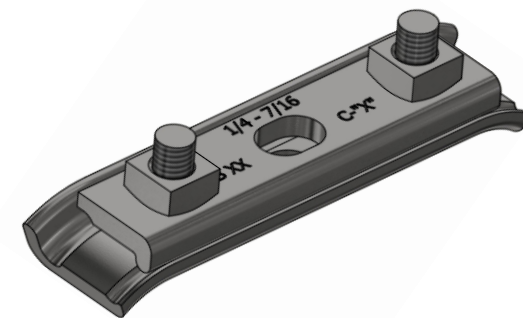
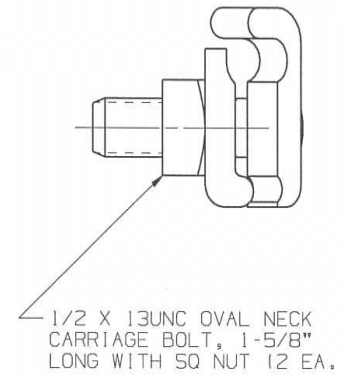
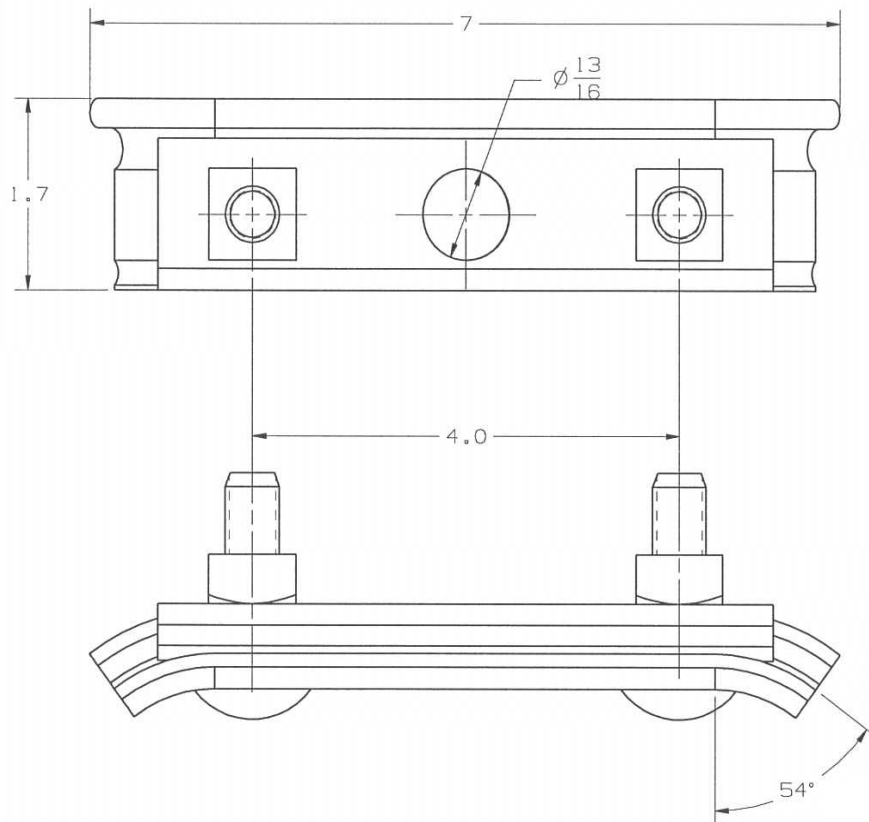


Distributed exclusively by:

Lakeport Power Ltd.
169 Industrial Park Road
Colborne, Ontario
www.lakeportpower.com | 905-355-3281



NOTES:

1. HOT DIPPED GALVANIZED IN ACCORDANCE WITH ASTM A153

Corner Suspension/Messenger Clamp

Catalog Number: 400MCC558-13