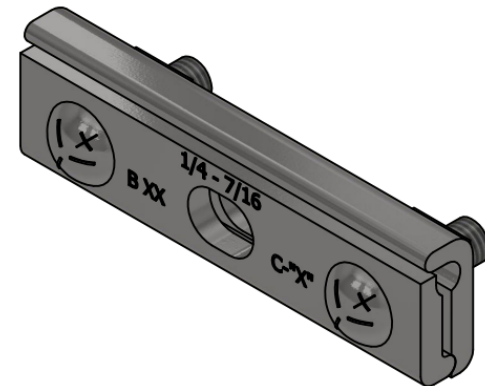
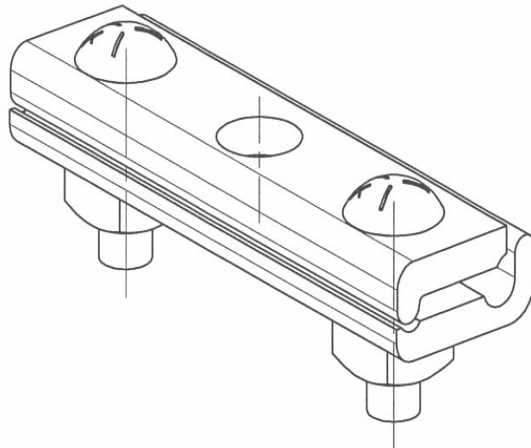
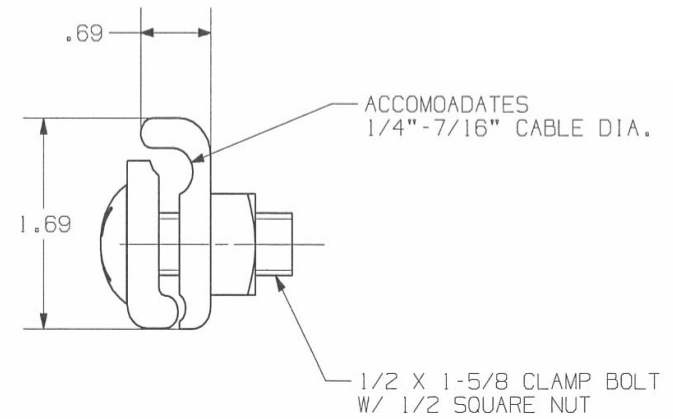
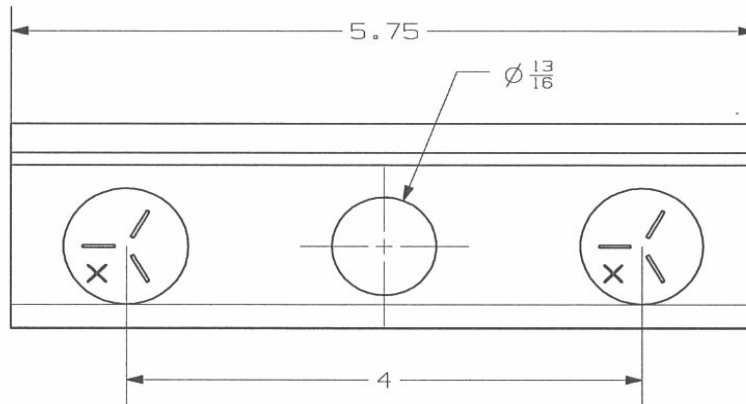


151 Industrial Park Road
Colborne, ON, K0K 1S0
905-355-3281



NOTES:

1. HOT DIP GALVANIZED IN ACCORDANCE WITH ASTM A153

Flat Suspension/Messenger Clamp
1/4" - 7/16" w/ 13/16" Mounting Hole

FRONTIER PART NUMBER: 400MC558-13