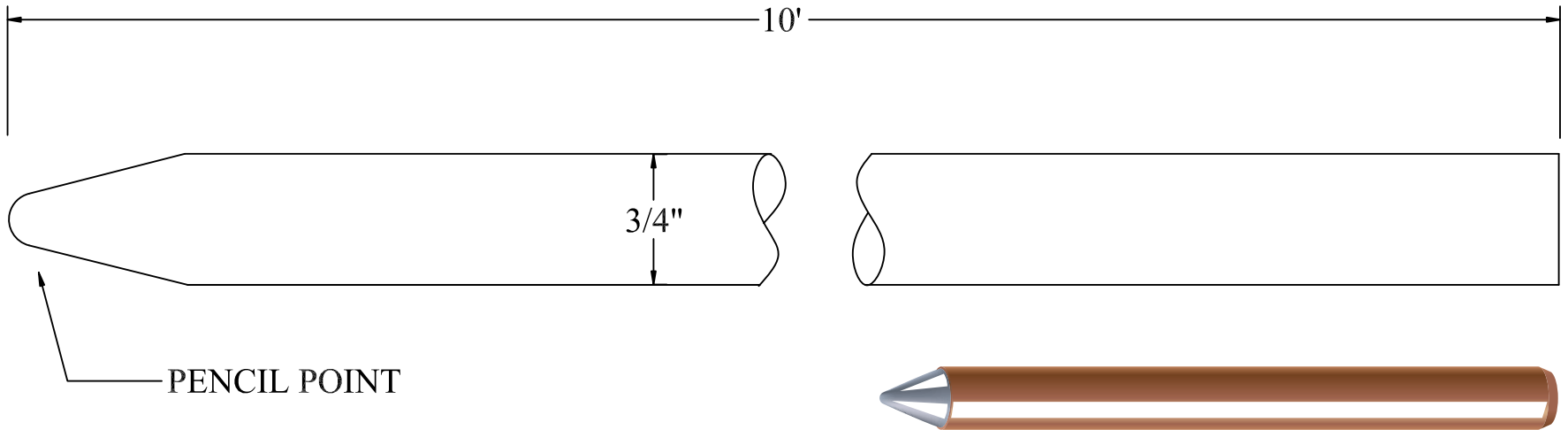




151 Industrial Park Road
Colborne, ON, K0K 1S0
905-355-3281



NOTES:

- 1. COPPER CLAD STEEL IN ACCORDANCE WITH CSA G164 SPECIFICATION
- 2. CSA SPEC C83.41-96

Ground Rod 3/4" x 10' Copper Clad	
FRONTIER PART NUMBER:	400GR3410CC