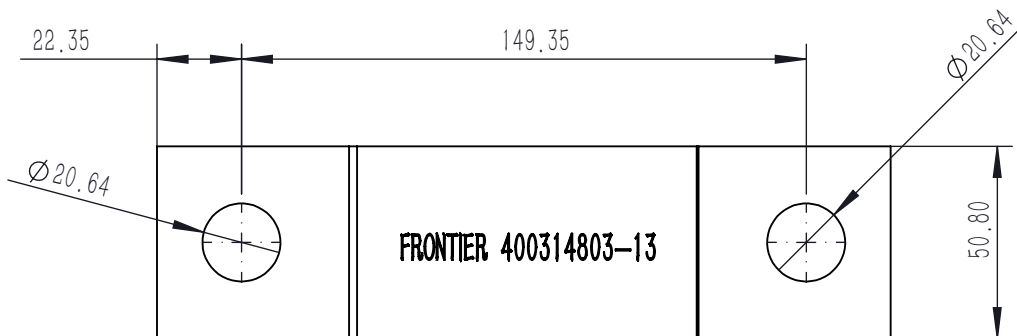
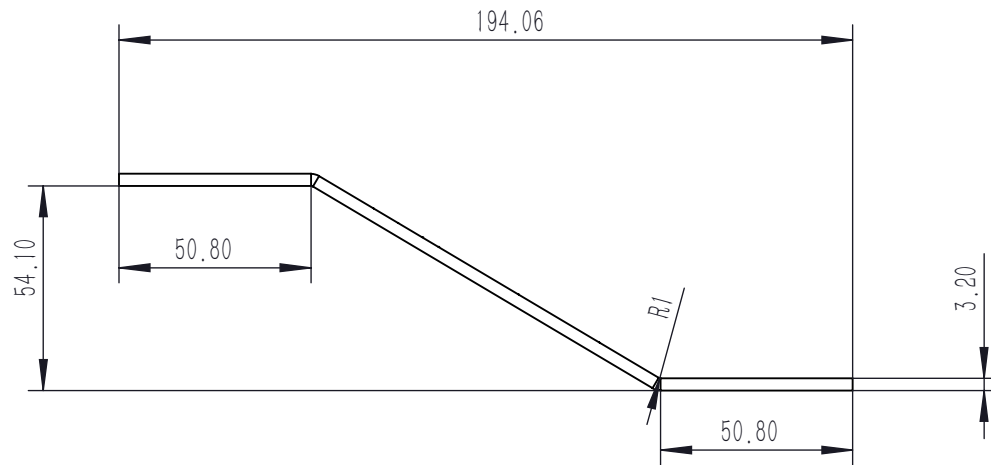


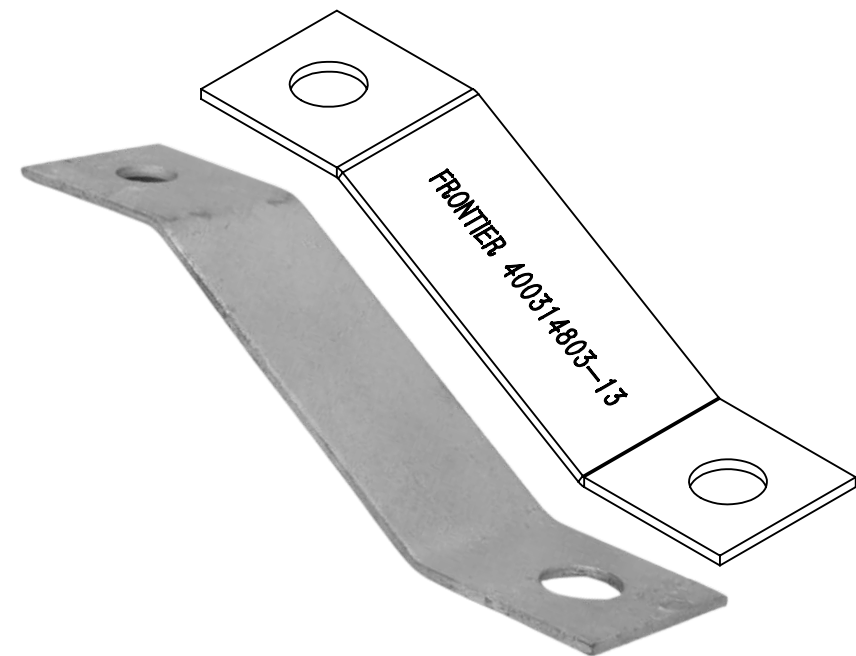
151 Industrial Park Rd
Colborne, ON K0K 1S0
905-355-3281



MESUREMENTS IN MILLIMETERS

NOTES:

1. MATERIAL: HOT DIPPED GALVANIZED STEEL PER ASTM A153
2. USED IN AERIAL CONSTRUCTION AS ADDED SUPPORT FOR 3-BOLT SUSPENSION CLAMPS



*Also available with 11/16" and 13/16" Holes

**Type "C" Reinforcing Strap,
1/8" Thick, 2"W, 13/16" Holes**

**Frontier Part
Number:**

400400314803